



Sanitary control valve Type SC510 / USA-Type SCV85



Features

- Control valve in size 1/2", 3/4", 1" and 1,5"
- Angle barstock body
- Maximum allowable pressure 20 bar
- Suitable for control of medium and low flow
- Integral seat, internal surfaces polished, O-ring or rolling diaphragm sealing

Applications

Suitable for control of liquids, gases or steam in biotechnology, pharmaceutical and food processes. Common uses are: pressure, temperature and flow control in fermentation reactors; control of gas blankets in closed vessels; and catalyst, defoamer and additive initiation.

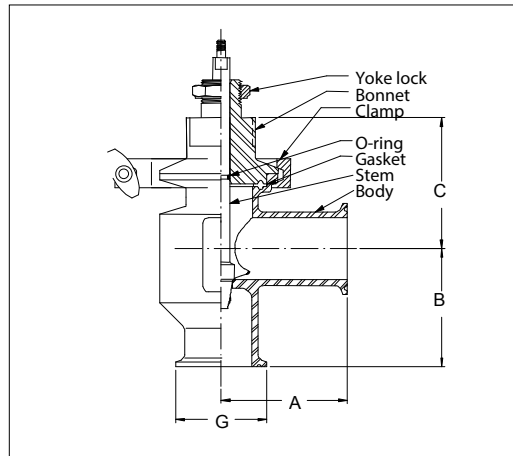
Materials

| | |
|-------------------|-------------------|
| Body | 316L SS barstock |
| Bonnet | 316 SS |
| Plug and stem | 316L SST |
| Gasket | Silicone |
| O-ring | Silicone or Viton |
| Rolling diaphragm | EPDM |

Options

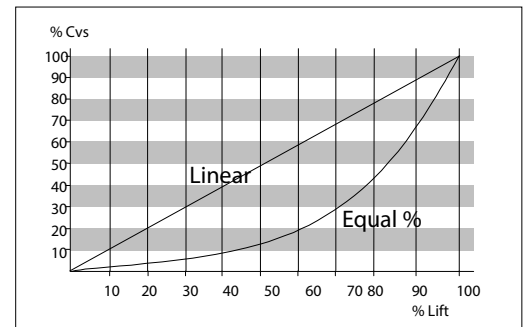
- Butt-weld ends
- Double O-ring sealing
- Positioners, i/p-converters, filter regulators, limit switches, solenoid valves, gauges

Dimensions



| Size | A | B | C | G |
|------|----|----|----|------|
| 1,5" | 70 | 73 | 73 | 1,5" |
| 1" | 70 | 67 | 73 | 1" |
| 3/4" | 40 | 43 | 67 | 3/4" |
| 1/2" | 40 | 40 | 70 | 1/2" |

Innervalue characteristic



Seat leakage

0.1% of Cvs

ANSI Class III

Pressure-temperature rating

| Temperature (°C) | Pressure (bar) |
|------------------|----------------|
| 20 | 20 |
| 150 | 10 |

Innervalue chart

| Valve size | Innervalue | Port dia. (mm) | Port area (cm ²) | Cvs | Rangeability | |
|----------------------|------------|----------------|------------------------------|------|--------------|----|
| | | | | | linear | =% |
| 1,5" | 20 | 25,4 | 5,06 | 20 | 40 | 60 |
| 1,5" | 15 | 25,4 | 5,06 | 15 | 40 | 60 |
| 1" + 1,5" | 10 | 19,05 | 2,85 | 10 | 40 | 60 |
| 1" + 1,5" | 8 | 19,05 | 2,85 | 8,0 | 40 | 60 |
| 1" + 1,5" | 6 | 19,05 | 2,85 | 6,0 | 40 | 60 |
| 3/4", 1", 1,5" | 5 | 12,7 | 1,27 | 5,0 | 40 | 60 |
| 3/4", 1", 1,5" | 4 | 12,7 | 1,27 | 4,0 | 40 | 60 |
| 1/2", 3/4", 1", 1,5" | A | 12,7 | 0,36 | 3,0 | 40 | 60 |
| 1/2", 3/4", 1", 1,5" | B | 6,77 | 0,36 | 2,0 | 40 | 60 |
| 1/2", 3/4", 1", 1,5" | C | 6,77 | 0,36 | 1,25 | 40 | 60 |
| 1/2", 3/4", 1", 1,5" | D | 6,77 | 0,36 | 0,80 | 40 | 60 |
| 1/2", 3/4", 1", 1,5" | E | 6,77 | 0,36 | 0,50 | 40 | 60 |
| 1/2", 3/4", 1", 1,5" | F | 3,96 | 0,123 | 0,32 | 30 | 40 |
| 1/2", 3/4", 1", 1,5" | G | 3,96 | 0,123 | 0,20 | 30 | 40 |
| 1/2", 3/4", 1", 1,5" | H | 3,96 | 0,123 | 0,13 | 30 | 40 |
| 1/2", 3/4", 1", 1,5" | I | 3,96 | 0,123 | 0,08 | 30 | 40 |
| 1/2", 3/4", 1", 1,5" | J | 3,96 | 0,123 | 0,05 | 30 | 40 |