



Badger Meter Europa

**Badger Meter Europa GmbH**  
Nürtinger Str. 76  
72639 Neuffen (Germany)  
Tel. +49-7025-9208-0  
Fax +49-7025-9208-15  
www.badgermeter.de  
badger@badgermeter.de



## 3-way control valve RC230

USA type 564, 1118



### Features

- Control valve in sizes 1", 3/4", 1/2" and 1/4"
- 3-way valve 1/2" + 1/4" barstock body
- 3-way valve 1" + 3/4" cast body with necked-down 3-port
- Maximum allowable pressure 100 bar
- Suitable for control of medium and low flow
- Many variations not listed here

### Pneumatic actuator

Die cast Aluminium with Epoxy paint, optional 316L S/S (stainless steel) but only for 1/2" valves.

Standard actuator "Spring to close", datasheet AC-OS

Standard actuator "Spring to open", datasheet AC-CS

With integrated pneumatic positioner:

Standard actuator "Spring to close", datasheet AC-OP

Standard actuator "Spring to open", datasheet AC-CP

### Electric actuator

Various special types available: explosion proof, safety position "Spring to open" or "Spring to close".

Electric, datasheet AC-HH500 AC-M60WE

Electronic, datasheet AC-EVA1 AC-MC60

### Applications

Suitable for control of liquids, gases or steam, in industrial applications, research, and process pilot plants. Its compact size makes it an ideal choice for additive injection, sampling, low flow hydraulic systems or wherever precise control is an important factor or physical constraints limit valve weight or size.

### Connections

Standard is NPT-internal thread.

For other types, see datasheet CON.

### Guiding

Standard as pictured under dimensions or optional medium and heavy duty guiding datasheet GDG.

### Bonnet

Standard as pictured under dimensions. Other types available as for example:

Cooling fin bonnet, datasheet CFG

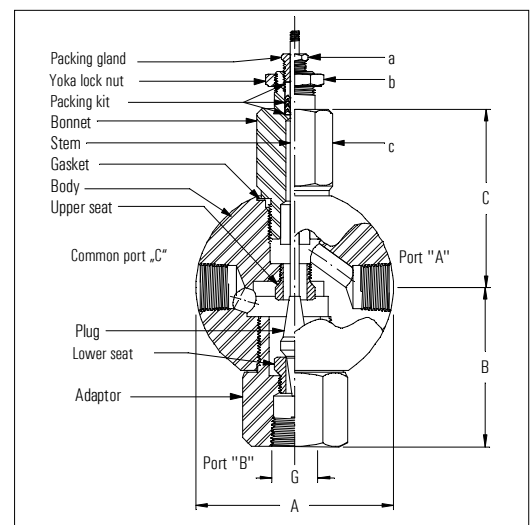
Bellows sealed bonnet, datasheet BLW

### Packing

Standard are PTFE chevron rings.

For other type, see datasheet PCK.

### Dimensions





### Innervalue materials

Size	Plug	Seat
V - J	316 SS	316 SS
V - J	Stellite <sup>(1)</sup>	416 SS
V - J	Stellite <sup>(1)</sup>	316 SS stellite <sup>(1)</sup>
V - J	Tantalum	Tantalum
V - J	Monel	Monel
V - J	Alloy-20	Alloy-20
V - J	Alloy-B	Alloy-B
A - J	Alloy-C276	Alloy-C276
V - J	Additional Titanium nitride coating	

### Valve materials

Body	Bonnet
316 SST barstock	316 SS barstock
Monel barstock	Monel barstock
Alloy-20 barstock	Alloy-20 barstock
Alloy-B barstock	Alloy-B barstock
Alloy-C barstock	Alloy-C barstock

For other materials, see type RC250.

Other materials available on request. Up to now over 140 materials and materials combinations have been used. (316 SS ~1.4571).

### Innervalue chart

NW	Size	Cvs	1"	3/4"	1/2"	1/4"
	U	5,0	6	-	-	-
	T	4,5	-	-	-	-
	S	4,0	6	-	-	-
	R	3,5	6	6	-	-
	A	2,5	6	6	3	-
	B	2,0	6	6	3	-
	C	1,25	6	6	6	-
	D	0,80	10	10	10	-
	E	0,50	10	10	10	-
	F	0,32	20	10	20	13
	G	0,20	20	10	20	13
	H	0,13	20	20	20	13
	I	0,08	20	20	20	13
	J	0,05	20	20	20	13

Max. pressure drop

Size	1"	3/4"	1/2"	1/4"
------	----	------	------	------

For detailed information, see Data Sheet TRM.

### Seat leakage

0.01% of Cvs for "O" and larger ANSI Class IV  
 0.1% of Cvs for "P1" and smaller ANSI Class III  
 Optional: Metallic or soft seated (PTFE or Kel-F).

### Pressure-temperature rating body

1" CONTROL VALVE	°C	316 SS	Alloy-B	Alloy-C	Monel	Alloy-20	Length bonnet
	20	100	-	-	-	-	STD
100	100	-	-	-	-	STD	
200	17	-	-	-	-	CF	
300	17	-	-	-	-	CF	
400	-	-	-	-	-	EF	
500	-	-	-	-	-	EF	

3/4" CONTROL VALVE	°C	316 SS	Alloy-B	Alloy-C	Monel	Alloy-20	Length bonnet
	20	100	-	-	-	-	STD
100	100	-	-	-	-	STD	
200	68	-	-	-	-	CF	
300	68	-	-	-	-	CF	
400	27	-	-	-	-	EF	
500	-	-	-	-	-	EF	

1/2" CONTROL VALVE	°C	316 SS	Alloy-B	Alloy-C	Monel	Alloy-20	Length bonnet
	20	100	82	82	82	82	STD
100	100	68	68	68	68	STD	
200	82	41	41	41	41	CF	
300	68	16	16	-	16	CF	
400	55	-	-	-	-	EF	
500	-	-	-	-	-	EF	

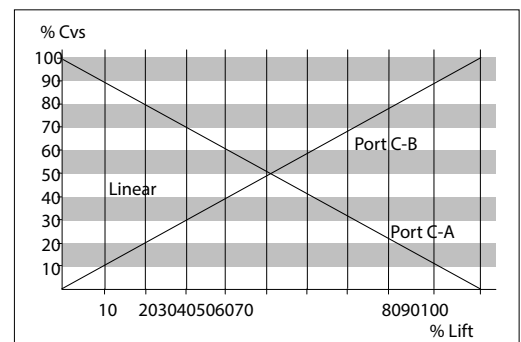
1/4" CONTROL VALVE	°C	316 SS	Alloy-B	Alloy-C	Monel	Alloy-20	Length bonnet
	20	100	100	100	82	100	STD
100	100	96	96	75	96	STD	
200	86	82	82	62	82	CF	
300	77	68	68	48	68	CF	
400	72	55	55	34	58	EF	
500	22	-	-	20	34	EF	

Max. pressure in bar

STD = standard bonnet. Details about bonnet length CF and EF, see datasheet CFG.

The above pressure ratings alone are not sufficient to determine if a valve is suitable for an application. You can find help for selection of innervalue, material combinations, guiding, bonnet and actuator in the "Instruction for valve selection" and the datasheets TRM, GDG, CFL or AC.

### Innervalue characteristic



<sup>(\*)</sup> Stellite<sup>®</sup> is a registered trademark of Deloro Stellite Holdings Corporation.